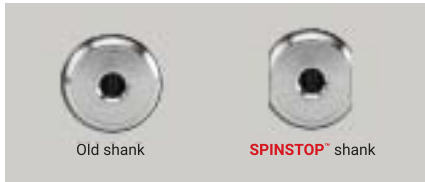


SHANKS



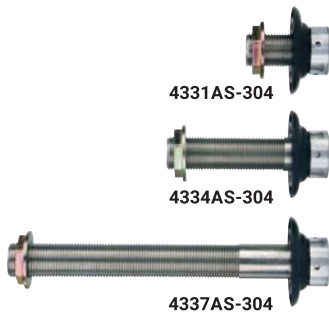
Brass, chrome-plated,
smooth surface

304 stainless steel,
three etched rings



Old shank

SPINSTOP shank



4331AS-304

4334AS-304

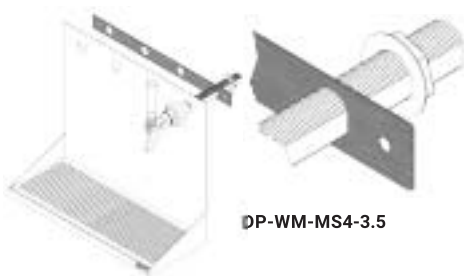
4337AS-304



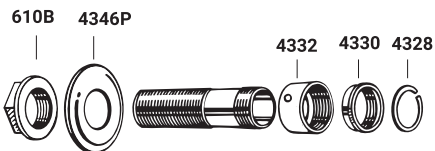
751-500-304-FC



751-500-304-FCL



DP-WM-MS4-3.5



610B

4346P

4332

4330

4328



MM-1331FPS



TTLW-JE



MP-065

SHANKS

1/4" BORE

PART NO.	MATERIAL	LENGTH
4331A	Brass	2"
4331AS-304	304 SS	2"
4333A	Brass	3-1/8"
4333AS-304	304 SS	3-1/8"
4334A	Brass	4-1/8"
4334AS-304	304 SS	4-1/8"
4336A	Brass	5-1/8"
4337A	Brass	6-1/8"
4337AS-304	304 SS	6-1/8"
4338A	Brass	8-1/8"
4338AS-304	304 SS	8-1/8"
4340A	Brass	10"
4340AS-304	304 SS	10"
4341A	Brass	12"
4341AS-304	304 SS	12"
4342A	Brass	14"
4342AS-304	304 SS	14"

3/16" BORE

PART NO.	MATERIAL	LENGTH
4331A-3	Brass	2"
4333A-3	Brass	3-1/8"
4334A-3	Brass	4-1/8"
4336A-3	Brass	5-1/8"
4337A-3	Brass	6-1/8"
4338A-3	Brass	8-1/8"
4340A-3	Brass	10"
4341A-3	Brass	12"
4342A-3	Brass	14"

KOOL-RITE™ FLOW CONTROL SHANK

PART NO.	MATERIAL	LENGTH
751-500-304-FC	304 SS	3-1/2"
751-500-304-FCL	304 SS	4-1/2"



547XFM60WHC

BEER HOSE ASSEMBLY

PART NO.	DESCRIPTION
547XFM60WHC	Beer hose assembly - 5' x 3/16" I.D. XtraFlexmaster™ with 304 SS contact
547C60WC	Beer hose assembly - 5' x 3/16" I.D. with hex nuts
547C60WCS	Beer hose assembly - 5' x 3/16" I.D. with hex nuts, stainless steel

D STRIPS

ELIMINATE ROTATING SHANKS

Secure thru-the-wall shanks from loosening and rotating.

PART NO.	LENGTH	SHANK HOLES	HOLE CENTERS
DP-WM-MS4-3	11-3/4"	4	3"
DP-WM-MS4-3.5	13-3/4"	4	3-1/2"
DP-WM-MS4-4	15-5/8"	4	4"

REPLACEMENT PARTS

PART NO.	DESCRIPTION
4328	Snap-ring
4330	Sleeve
4332	Chrome coupling nut
4332BR	Brass coupling nut
4346P	Black plastic flange
4346F	Stainless flange
MM-1331FPS	3/4" chrome-plated spacer
610B	Lock nut
TTLW-JE	Lock washer
MP-065	Locking flange to prevent faucet and shank from rotating